



SKE Industries

The **KTR Radial Conveyor** is a track mounted fully mobile radial stockpiling conveyor. Powered by a diesel engine it is self-contained and offers an excellent stockpiling capacity with its radial ability. As mobile crushers and screens constantly get larger with increased throughputs, transport restrictions have not allowed for their on board conveyors to increase in size and length to cope with higher tonnages. Track conveyors fulfil this need by providing much larger stockpile capacity and at the same time improve plant mobility by removing material from the processing equipment.

Website: www.skecon.com

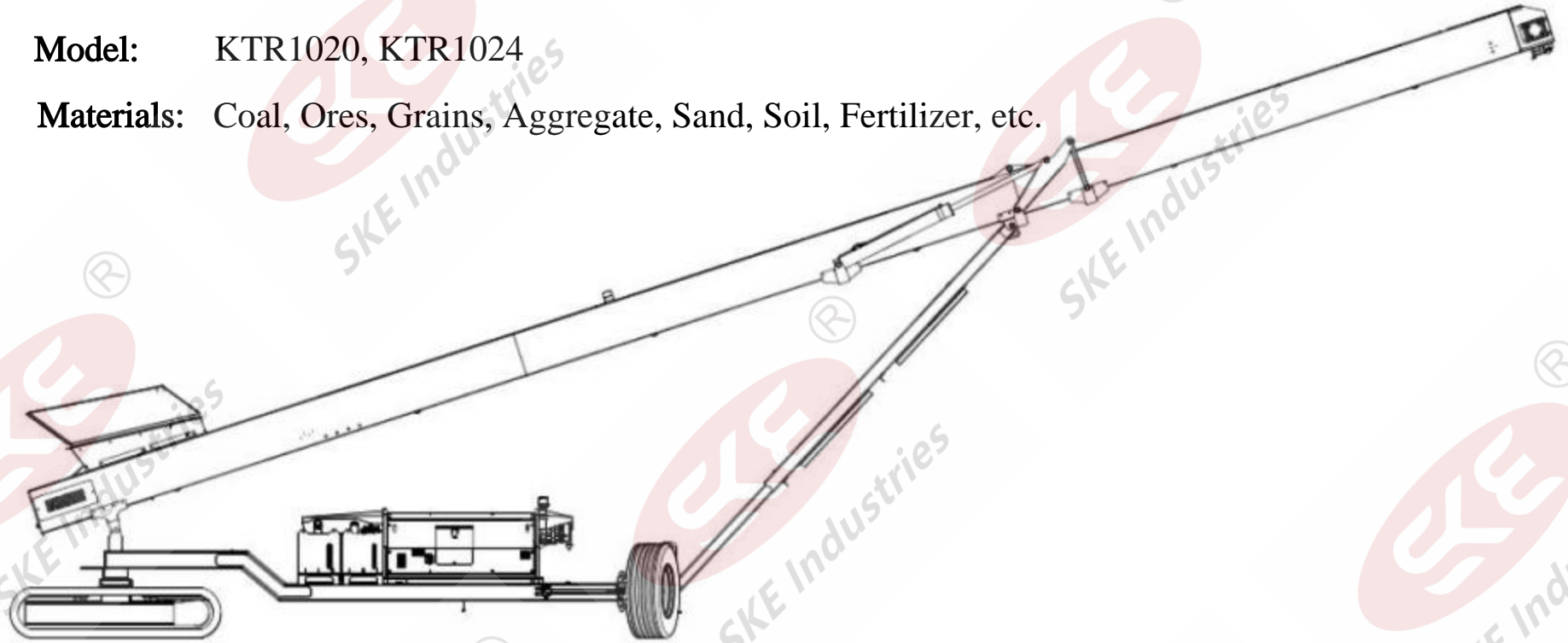
Email: info@skecon.com

KTR Tracked Radial Conveyor

Capacity: 0 to 500t/h

Model: KTR1020, KTR1024

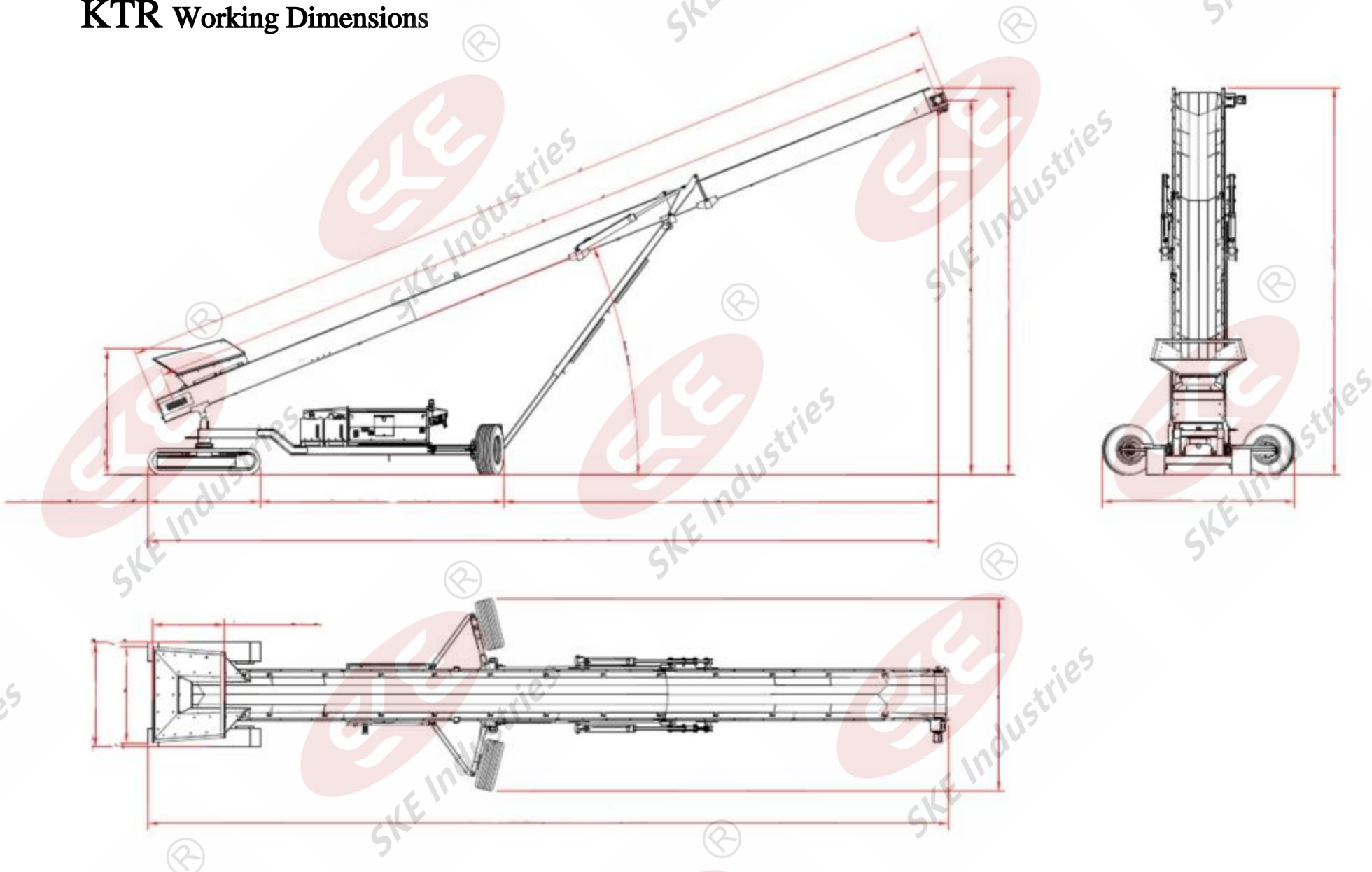
Materials: Coal, Ores, Grains, Aggregate, Sand, Soil, Fertilizer, etc.



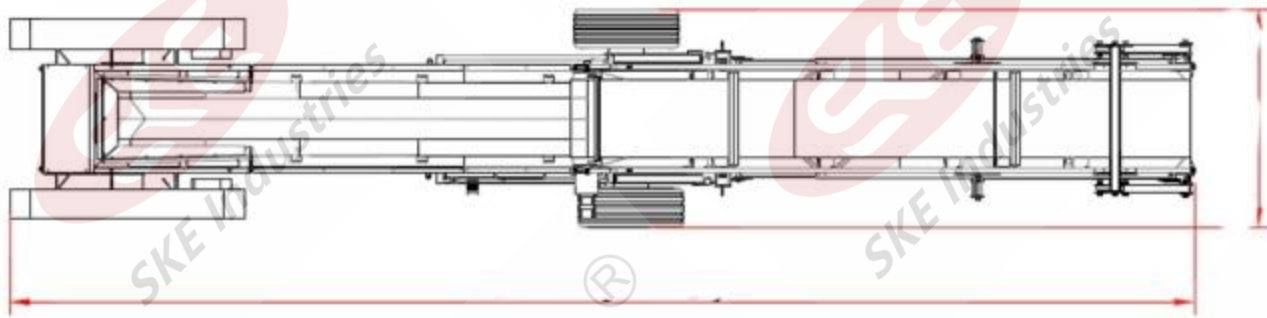
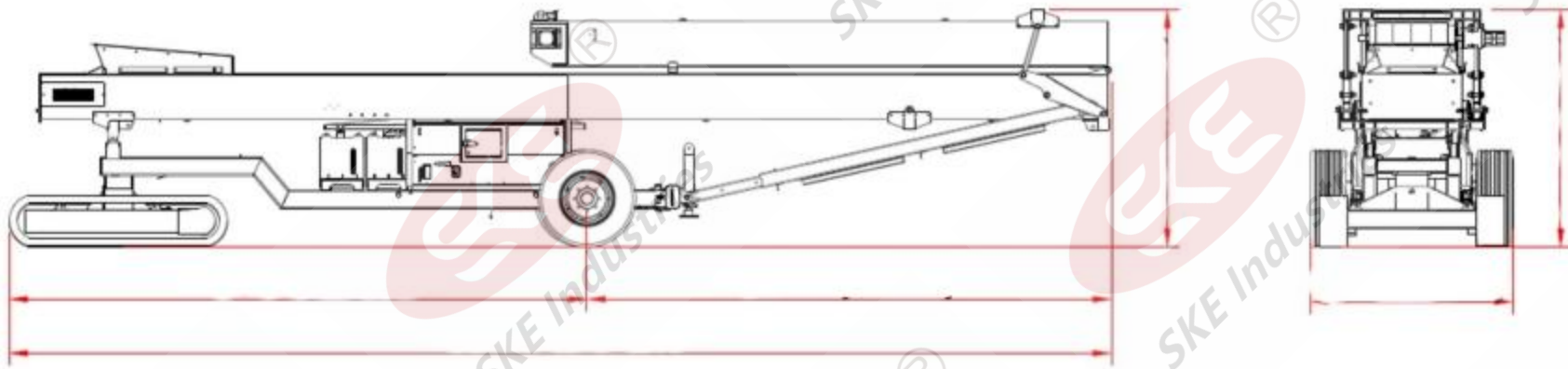
Applications:

1. Stockpiling from secondary crushers, screens and shredders.
2. Stockpiling crushed stone, sand and gravel, mineral ores, mulch, woodchip/biomass.
3. Stockpiling construction and demolition waste, top soil, coal, grain etc.
4. Receiving crushed material and stockpiling safely over a quarry face/bench.
5. Working as part of a mobile system on short to medium term projects.
6. Ship and truck loading

KTR Working Dimensions



KTR Transporting Dimensions



KTR Tracked Radial Conveyor Stockpiling

