



SKE Industries

Conveyor Covers and Hoods

Do you know how much product is unrecoverable every year due to conveyor systems being open to the elements? Don't let wind & water wash your product away, cover it today! We offer a full line of Conveyor Covers and Hoods designed to provide protection from the elements for the conveyed cargo and the Conveyor's components and accessories and ensure worker safety while allowing easy inspection and maintenance.

Contact Now

Website: <https://www.skecon.com>

Email: info@skecon.com

Conveyor Covers & Hoods

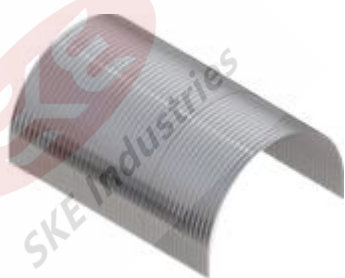
Conveyor cover is also known as a rain proof cover, dust proof cover. The conveyor covers is made of galvanized steel plate. Galvanized steel plate takes cold-rolled strips, galvanized steel strips as the base plate, after the surface pre-treatment (chemical treatment), one or more layers of liquid paint are applied to the plate by roller coating, and then the plate made by baking and cooling. Conveyor covers can be divided into fixed type, open type, observation window type. Conveyor covers is widely used in energy, construction material, metallurgy, chemical, ports, mining, and other industries.



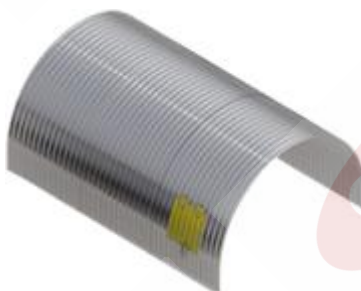
CONVEYOR COVER BASIC INFORMATION

Conveyor Cover Type	Full Coverage, 3/4 Coverage, 1/2 Coverage, Full Coverage With Windows
Conveyor Cover Size	Can be customized according to customer requirements
Conveyor Cover Material	Galvanized Sheet/Stainless Steel
Conveyor Cover Thickness	0.5mm/0.6mm/0.8mm/1.0mm
Conveyor Cover Colour	Sea blue / Chinese Red / Mechanical Gray

CONVEYOR COVER TYPES



Full Coverage



Full Coverage With Windows



3/4 Coverage



1/2 Coverage

CONVEYOR COVER FEATURES

Safety

Conveyor cover reduces the risk of work-related accidents by reducing traffic and access.

Longer lasting components

Covered belt conveyors results in less wear on conveyor components as well as acting as a safeguard against UV, rain, snow, wind damage to the belt and machine.

Environmental protection

Avoid material dust pollution environment

Sustainability

Highly effective passive airborne dust emission reduction solution, with no resource or energy consumption.

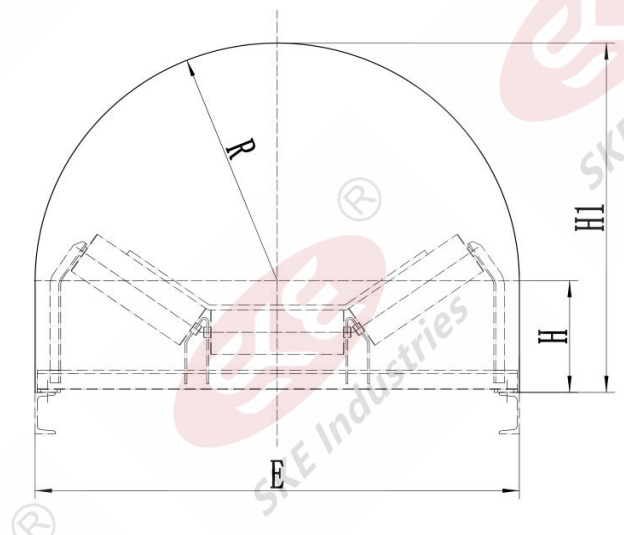
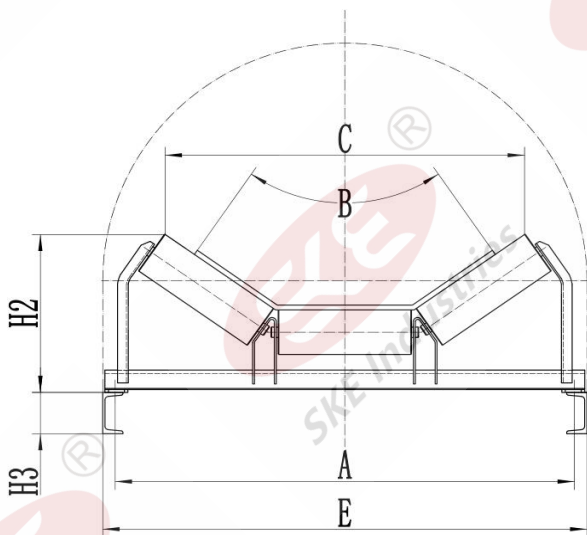
Easy maintenance

Easy and safe of operation for realizing inspection, maintenance and repair work at conveying systems.

Opening, latching and closing on both sides through one person without any tool.

Reduction of material loss

CONVEYOR COVER DRAWING



Thickness: ____ (0.5mm, 0.6mm, 1.0mm, others)

H2: ____ mm H3: ____ mm C: ____ mm

B: ____ mm A: ____ mm E: ____ mm

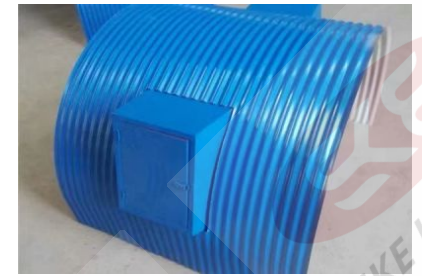
E: ____ mm H: ____ mm R: ____ mm

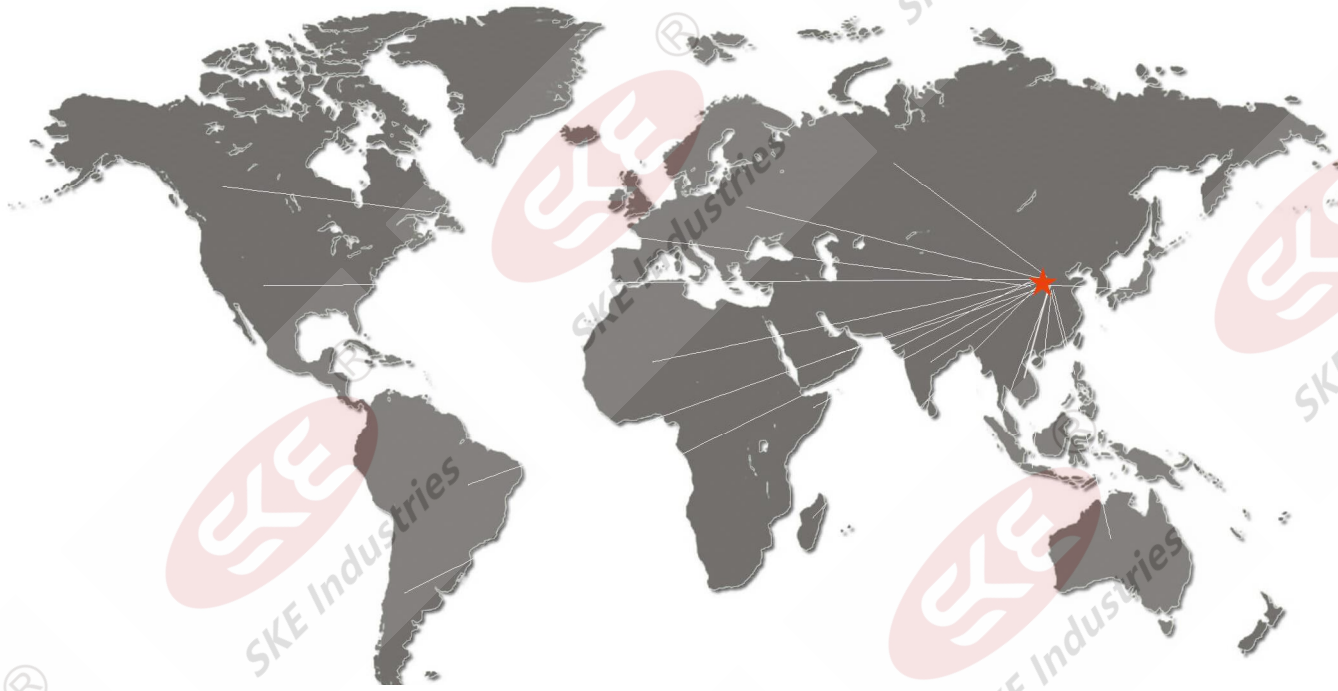
Quantity: ____

If you have drawings of belt conveyor cover, please send me.

We can produce according to your requirement.

CONVEYOR COVER ON SITE





Contact Now

Website: <https://www.skecon.com>

Email: info@skecon.com